

# KOENEN

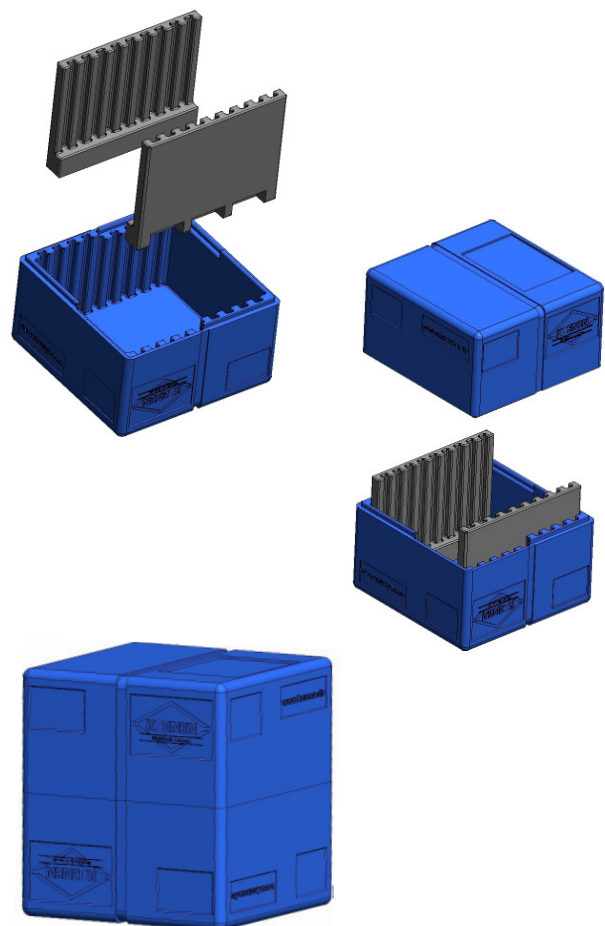
## Transport Box (EPP)

Since March 2007 the high quality precision screens of KOENEN are packed even more precisely. Together with a packaging specialist, also a traditional company from Ottobrunn, KOENEN has developed a multifunctional packaging solution. The most important features: solid, rugged, easy to handle, clearly identifiable as KOENEN transport box, space saving, stackable, long-lasting.

Up to nine precision screens can be transported cleanly and safe in one box. As the inserts can be taken out individually and easily, they can be adapted to the most requested frame sizes type-2, type-5, type-10 and type-12, side lengths of 270 to 350 mm. The new reusable transport boxes are made of expanded polypropylene (EPP). The material is characterised as utmost environment-friendly, especially shock- and tear proof, very light and having an insulating effect against heat and coldness. An outer packaging for transportation is not necessary.

In addition to the bolstering effect of the modern material, the fitting accuracy - realized by form-fit product retainers - ensures a safe transport. The coated and exposed precision screens in the reusable transport boxes resist any climatic influence. Thus, the possibility of a screen distortion due to a fluctuation of temperature during the transport is minimised. The upper and the bottom part are identical, simplifying assembly, storage and replacements enormously. The dimensions are optimised for the transportation with euro-pallets. The new blue transport boxes replace the white polystyrene packaging with immediate effect.

>> The new reusable transport boxes are the optimum protection for the high quality KOENEN precision screens. They ensure a safe transport, an optimised storage and a more efficient handling - and help you to save time and money.



>> Further information upon request at any time.

*\*Subject to technical changes*